



# HPE6-A73<sup>Q&As</sup>

Aruba Certified Switching Professional

**Pass HP HPE6-A73 Exam with 100% Guarantee**

Free Download Real Questions & Answers **PDF** and **VCE** file from:

<https://www.lead4pass.com/hpe6-a73.html>

100% Passing Guarantee  
100% Money Back Assurance

Following Questions and Answers are all new published by HP Official Exam Center

-  **Instant Download** After Purchase
-  **100% Money Back** Guarantee
-  **365 Days** Free Update
-  **800,000+** Satisfied Customers





### QUESTION 1

Examine the partial output of the BGP routing table of an AOS-CX switch: The switch is learning about four possible path to reach the 1.0.0.0/8 network. Based on this output, which next-hop route will the AOS-CX select to be placed in the IP routing table?

Switch# **show bgp**

<-output omitted->

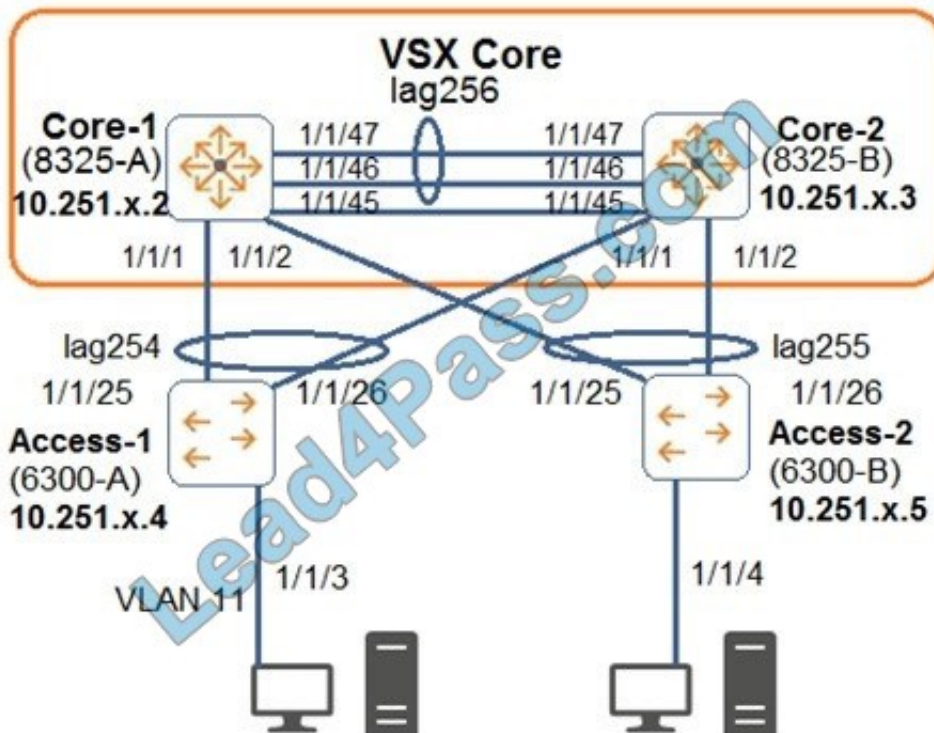
Network	Nexthop	Metric	LocPrf	Weight	Path
* e 1.0.0.0/8	192.168.1.5	0	100	0	100 ?
* e 1.0.0.0/8	192.168.2.5	0	100	0	200 100 i
* e 1.0.0.0/8	192.168.3.5	0	200	20	300 400 100 ?
* e 1.0.0.0/8	192.168.4.5	0	50	0	400 200 100 i

- A. 192.168.1.5
- B. 192.168.2.5
- C. 192.168.3.5
- D. 192.168.4.5

Correct Answer: C

### QUESTION 2

Examine the attached diagram.



The two PCs are located in VLAN 11 (10.1.11.0/24). Which example defines how to implement active gateway on the VSX core for VLAN 11?

- A. interface vlan 11 active-gateway ip 10.1.11.1 active-gateway mac 02:02:00:00:01:00
- B. interface lag 254 active-gateway vlan 11 ip 10.1.11.1 active-gateway vlan 11 mac 02:02:00:00:01:00
- C. interface lag 254 active-gateway ip 10.1.11.1 active-gateway mac 02:02:00:00:01:00
- D. vsx vrrp group 1

Correct Answer: A

### QUESTION 3

What is correct regarding rate limiting and egress queue shaping on AOS-CX switches?

- A. Only a traffic rate and burst size can be defined for a queue
- B. Limits can be defined only for broadcast and multicast traffic
- C. Rate limiting and egress queue shaping can be used to restrict inbound traffic
- D. Rate limiting and egress queue shaping can be applied globally

Correct Answer: A

**QUESTION 4**

A company has a third-party AAA server solution. The campus access layer was just upgraded to AOS-CX switches that perform access control with MAC-Auth and 802.1X. The company has an Aruba Mobility Controller (MC) solution for wireless, and they want to leverage the firewall policies on the controllers for the wired traffic.

What is correct about how the company should implement a security solution where the wired traffic is processed by the MCs?

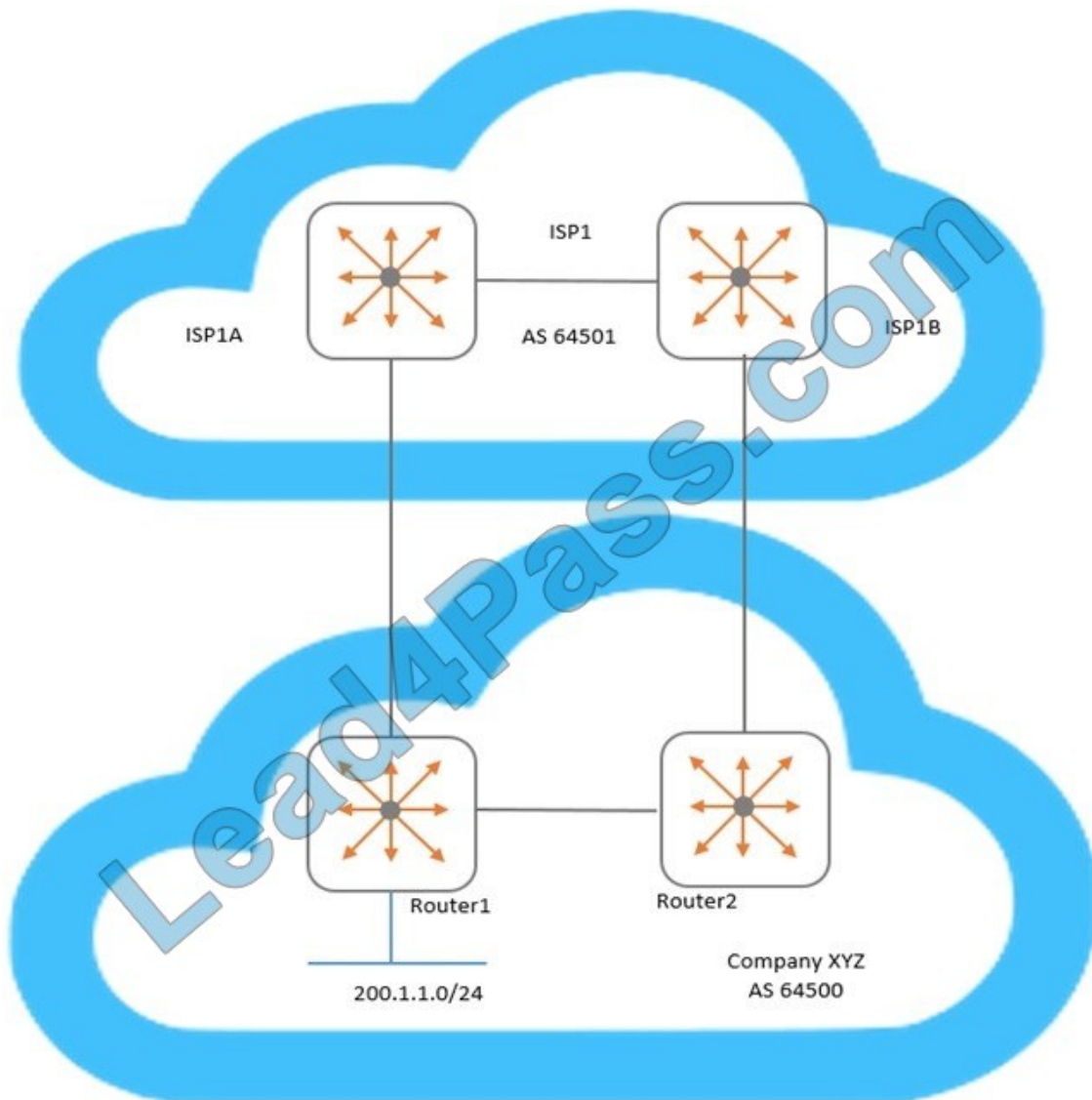
- A. Implement downloadable user roles with a gateway role defined on the AOS-CX switches
- B. Implement local user roles with a gateway role defined on the AOS-CX switches
- C. Implement standards-based RADIUS VSAs to pass policy information directly to the AOS-CX switches and MCs
- D. Implement downloadable user roles with a device role defined on the AOS-CX switches and MCs

Correct Answer: D

---

**QUESTION 5**

Examine the network topology.



Company XYZ has two connections to a service provider (ISP1). Here is the configuration of Router1:

```
Router1(config)# ip prefix-list AS64500-routes permit 200.1.1.0/24
Router1(config)# route-map To-AS64501 permit seq 10
Router1(config-route-map)# match ip address prefix-list AS64500-routes
Router1(config-route-map)# set metric 100
Router1(config-route-map)# exit
Router1(config)# router bgp 64500
Router1(config-bgp)# address-family ipv4 unicast
Router1(config-bgp-ipv4-uc)# neighbor 192.168.1.1 route-map To-AS64501 out
```

Here is the configuration of Router2:



```
Router2(config)# ip prefix-list AS64500-routes permit 200.1.1.0/24
Router2(config)# route-map To-AS64501 permit seq 10
Router2(config-route-map)# match ip address prefix-list AS64500-routes
Router2(config-route-map)# set metric 200
Router2(config-route-map)# exit
Router2(config)# router bgp 64500
Router2(config-bgp)# address-family ipv4 unicast
Router2(config-bgp-ipv4-uc)# neighbor 192.168.2.1 route-map To-AS64501 out
```

Based on configuration of Router1 and Router2, which BGP metric is being manipulated?

- A. Weight
- B. Multiple exit discriminator
- C. Local preference
- D. AS path length

Correct Answer: B

#### QUESTION 6

An administrator is implementing a downloadable user role solution involving AOS-CX switches. The AAA solution and the AOS-CX switches can successfully authenticate users; however, the role information fails to download to the switches. What policy should be added to an intermediate firewall to allow the downloadable role function to succeed?

- A. Allow TCP 443
- B. Allow UDP 1811
- C. Allow UDP 8211
- D. Allow TCP 22

Correct Answer: C

#### QUESTION 7

An administrator of a large campus network needs a solution that will provide root cause analytics to quickly identify problems so that they can quickly be fixed.

Which AOS-CX switch feature should the administrator utilize to help with root cause analytics?

- A. NAE
- B. VoQ
- C. NetEdit





D. VSX

Correct Answer: A

---

#### QUESTION 8

A network has an ABR that connects area 0 and 1. A network engineer configures a summarized route for area 0. The ABR is a designated router (DR) for the segment it uses to connect to area 1.

Which LSA type is assigned to this route when the summarized route is advertised into area 1 by the ABR?

- A. LSA 1
- B. LSA 4
- C. LSA 3
- D. LSA 2

Correct Answer: B

---

#### QUESTION 9

An administrator wants to leverage always-on PoE on AOS-CX switches. Which statement is correct regarding this feature?

- A. Provides up to 60W of power per port
- B. Supports all AOS-CX switches
- C. Provides surge protection for PoE and non-PoE ports
- D. Requires NetEdit to implement

Correct Answer: A

---

#### QUESTION 10

What are best practices when implementing VSX on AOS-CX switches? (Choose two.)

- A. The ISL lag should use the default MTU size.
- B. Timers should be left at their default values.
- C. The default system MAC addresses should be used.
- D. The keepalive connection should use a direct layer-3 connection.
- E. The ISL lag should use at least 10GbE links or faster.

Correct Answer: BD

---



### QUESTION 11

Examine the following AOS-CX switch configuration: Which statement correctly describes what is allowed for traffic entering interface 1/1/3?

```
Access(config)# access-list ip ext
Access(config-acl-ip)# permit ip any 10.0.11.0/255.0.255.0 count
Access(config-acl-ip)# permit ip any 10.0.12.0/255.0.255.0 log
Access(config-acl-ip)# exit
Access(config)# interface 1/1/3
Access(config-if)# apply access-list ip ext in
Access(config-if)# exit
```

- A. IP traffic from 10.1.11.0/24 is allowed to access 10.1.110.0/24
- B. IP traffic from 10.0.11.0/24 is allowed to access 10.1.12.0/24
- C. Traffic from 10.0.12.0/24 will generate a log record when accessing 10.0.11.0/24
- D. IP traffic from 10.1.12.0/24 is allowed to access 172.0.1.0/23

Correct Answer: C

### QUESTION 12

An administrator will be implementing tunneling between AOS-CX switches and Aruba gateways. Which list of protocols must minimally be allowed by an intermediate firewall between two sets of devices?

- A. IP protocol 50 and UDP 8209
- B. UDP 4500 and IP protocol 47
- C. UDP 8211 and IP protocol 47
- D. UDP 4500 and UDP 8209

Correct Answer: B

### QUESTION 13

An administrator of a company has concerns about upgrading the access layer switches. The users rely heavily on wireless and VoIP telephony. Which is the best recommendation to ensure a short downtime for the users during upgrading the access layer switches?

- A. Install the in-service software upgrade (ISSU) feature with clustering enabled





- B. Install AOS-CX 6300 or 6400 switches with always-on POE
- C. Implement VSF on the AOS-CX access switches
- D. Implement VSX on the AOS-CX access switches

Correct Answer: C

[Latest HPE6-A73 Dumps](#)

[HPE6-A73 Practice Test](#)

[HPE6-A73 Exam Questions](#)



To Read the [Whole Q&As](#), please purchase the [Complete Version](#) from [Our website](#).

## Try our product !

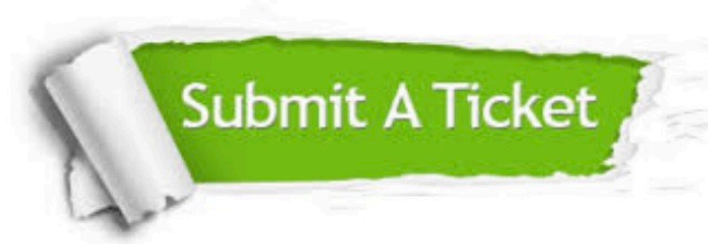
100% Guaranteed Success  
100% Money Back Guarantee  
365 Days Free Update  
Instant Download After Purchase  
24x7 Customer Support  
Average 99.9% Success Rate  
More than 800,000 Satisfied Customers Worldwide  
Multi-Platform capabilities - [Windows](#), [Mac](#), [Android](#), [iPhone](#), [iPod](#), [iPad](#), [Kindle](#)

We provide exam PDF and VCE of Cisco, Microsoft, IBM, CompTIA, Oracle and other IT Certifications. You can view Vendor list of All Certification Exams offered:

<https://www.lead4pass.com/allproducts>

## Need Help

Please provide as much detail as possible so we can best assist you.  
To update a previously submitted ticket:



 <p><b>One Year Free Update</b> Free update is available within One Year after your purchase. After One Year, you will get 50% discounts for updating. And we are proud to boast a 24/7 efficient Customer Support system via Email.</p>	 <p><b>Money Back Guarantee</b> To ensure that you are spending on quality products, we provide 100% money back guarantee for 30 days from the date of purchase.</p>	 <p><b>Security &amp; Privacy</b> We respect customer privacy. We use McAfee's security service to provide you with utmost security for your personal information &amp; peace of mind.</p>
---	---	--

Any charges made through this site will appear as Global Simulators Limited.  
All trademarks are the property of their respective owners.  
Copyright © lead4pass, All Rights Reserved.