



# HPE6-A41<sup>Q&As</sup>

Applying Aruba Switching Fundamentals for Mobility

**Pass HP HPE6-A41 Exam with 100% Guarantee**

Free Download Real Questions & Answers **PDF** and **VCE** file from:

<https://www.lead4pass.com/hpe6-a41.html>

100% Passing Guarantee  
100% Money Back Assurance

Following Questions and Answers are all new published by HP Official Exam Center

-  **Instant Download** After Purchase
-  **100% Money Back** Guarantee
-  **365 Days** Free Update
-  **800,000+** Satisfied Customers





#### QUESTION 1

A retail company needs a quick way to deploy network infrastructure to new sites.

Which Aruba solutions provide Zero Touch Provisioning (ZTP) for Aruba Instant APs (IAPs) and ArubaOS switches?

- A. Aruba AirWave and Aruba Activate
- B. Aruba Meridian and Aruba ALE
- C. Aruba AirWave and Aruba Central
- D. Aruba Activate and Aruba Meridian

Correct Answer: A

---

#### QUESTION 2

An interface on an ArubaOS switch did not receive any BDPUs and has the spanning tree auto-edge setting. What describes the effect of this setting?

- A. The interface has spanning tree disabled on it and ignore BPDUs.
- B. The interface remains forwarding during topology changes.
- C. The interface root path cost is automatically set to 0.
- D. The interface is preferred to be selected as master port.

Correct Answer: B

---

#### QUESTION 3

A network administrator implements a wireless network that uses three wireless APs. The administrator wants to ensure that users can roam seamlessly from one AP to another. Which type of wireless network should the administrator implement?

- A. an ad hoc network that does not use channel bonding
- B. an infrastructure network with a different Service Set Identifier (SSID) on each AP
- C. an ad hoc network that uses channel bonding
- D. an infrastructure network with the same Service Set Identifier (SSID) on each AP

Correct Answer: D

---

#### QUESTION 4



Member 1 is the commander of a Virtual Switching Framework (VSF) fabric. A power disruption causes member1 to go down. What happens when power is restored and member 1 boots?

- A. Member 1 fails to rejoin the VSF fabric, and the error disrupts member 2.
- B. Member 1 rejoins the VSF fabric and becomes the commander.
- C. Member 1 rejoins the VSF fabric, and member 2 continues to act as commander.
- D. Member 1 fails to rejoin the VSF fabric, and member 2 continues to act as commander.

Correct Answer: B

---

#### QUESTION 5

Which type of 802.11 wireless network can be hosted by an endpoint device such as a laptop?

- A. a wireless distribution system
- B. an ad hoc network
- C. a wireless mesh or bridge
- D. an infrastructure network

Correct Answer: B

---

#### QUESTION 6

Refer to the exhibit. Exhibit 1.

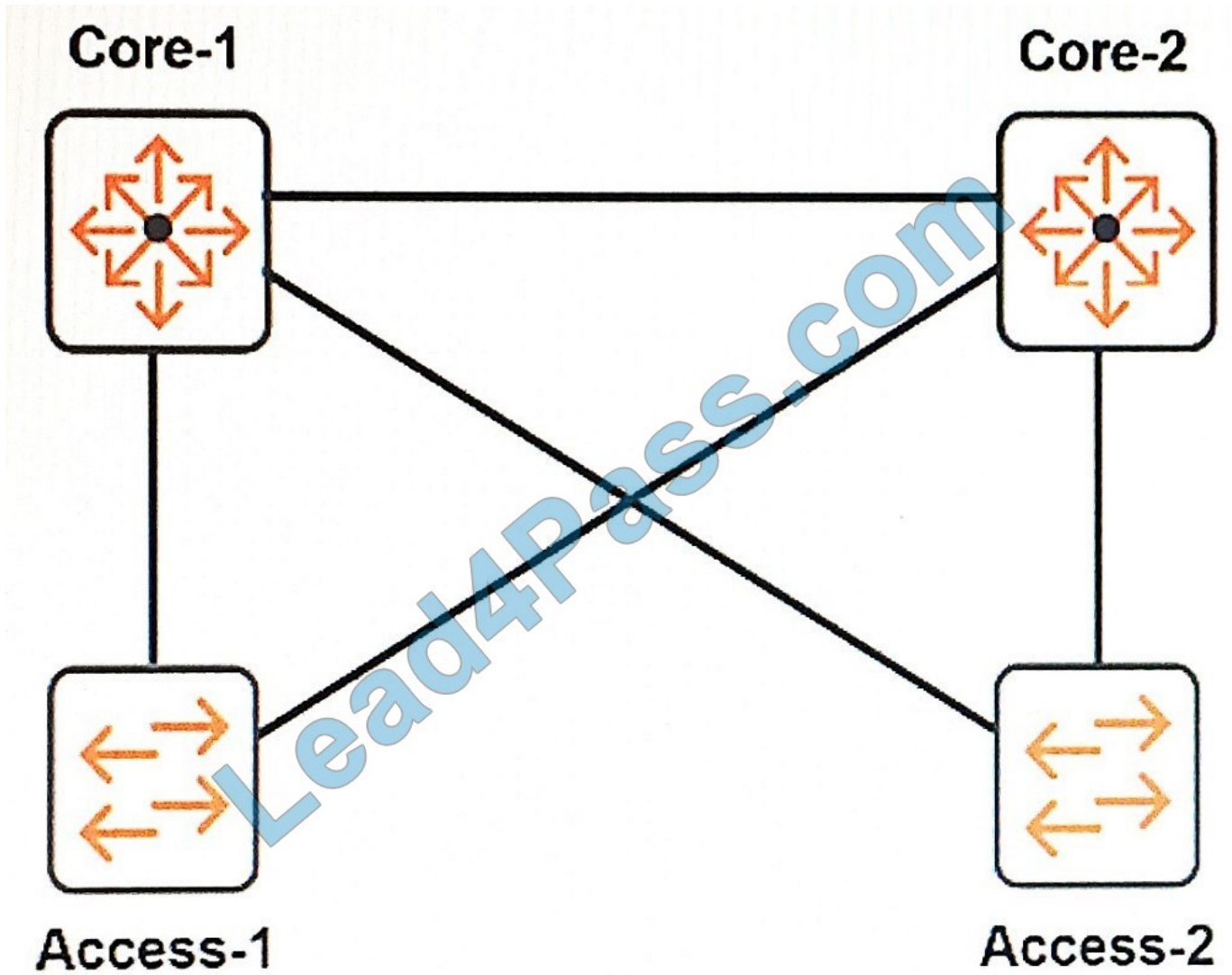


Exhibit 2.



Core-1# show spanning-tree mst-config

MST Configuration Identifier Information

MST Configuration Name : exam  
MST Configuration Revision : 1  
MST Configuration Digest : 0xF92468D366CF3C647EB33C03B166AD59

IST Mapped VLANs : 1-9,30-4094

Instance ID Mapped VLANs

-----  
1            10-19  
2            20-29

Core-2# show spanning-tree mst-config

MST Configuration Identifier Information

MST Configuration Name : exam  
MST Configuration Revision : 0  
MST Configuration Digest : 0xF92468D366CF3C647EB33C03B166AD59

IST Mapped VLANs : 1-9,30-4094

Instance ID Mapped VLANs

-----  
1            10-19  
2            20-29

Exhibit 3.



```
Access-1# show spanning-tree mst-config
```

MST Configuration Identifier Information

```
MST Configuration Name : Access-1  
MST Configuration Revision : 1  
MST Configuration Digest : 0xF92468D366CF3C647EB33C03B166AD59
```

```
IST Mapped VLANs : 1-9,30-4094
```

Instance ID Mapped VLANs

```
-----  
1          10-19  
2          20-29
```

```
Access-2# show spanning-tree mst-config
```

MST Configuration Identifier Information

```
MST Configuration Name : exam  
MST Configuration Revision : 1  
MST Configuration Digest : 0x483AAD884DAE97827C26B3C21DF64E1E
```

```
IST Mapped VLANs : 1-9,11-18,21-28,30-4094
```

Instance ID Mapped VLANs

```
-----  
1          10,19  
2          20,29
```

How many MSTP regions exist in the topology shown in the exhibit?

- A. one
- B. two
- C. three
- D. four

Correct Answer: B

#### QUESTION 7

A company wants a modular switch for the core layer of its mid-sized campus. The switch requires 32 10 G ports in a



single switch with the ability to scale in the future. Which ArubaOS switches series is best suited for this role?

- A. Aruba 2930F
- B. Aruba 3800
- C. Aruba 3810
- D. Aruba 5400R

Correct Answer: D

---

#### QUESTION 8

An ArubaOS switch operates at its factory default settings. A network administrator connects the switch to a VLAN with a DHCP server. The switch-to-switch connection carries untagged traffic. The administrator wants to use Telnet log in to the switch CLI.

How should the administrator contact the switch and log in?

- A. Contact the switch at its default IP address 172.16.0.254/24 and log in without entering a password.
- B. Contact the switch at its default IP address 192.168.1.1/24 and log in with the default password admin.
- C. Contact the switch at its DHCP-assigned IP address and log in without entering a password.
- D. Contact the switch at its DHCP-assigned IP address and log in with the default password aruba.

Correct Answer: C

---

#### QUESTION 9

What is true about the community string used for SNMPv1 and SNMPv2c?

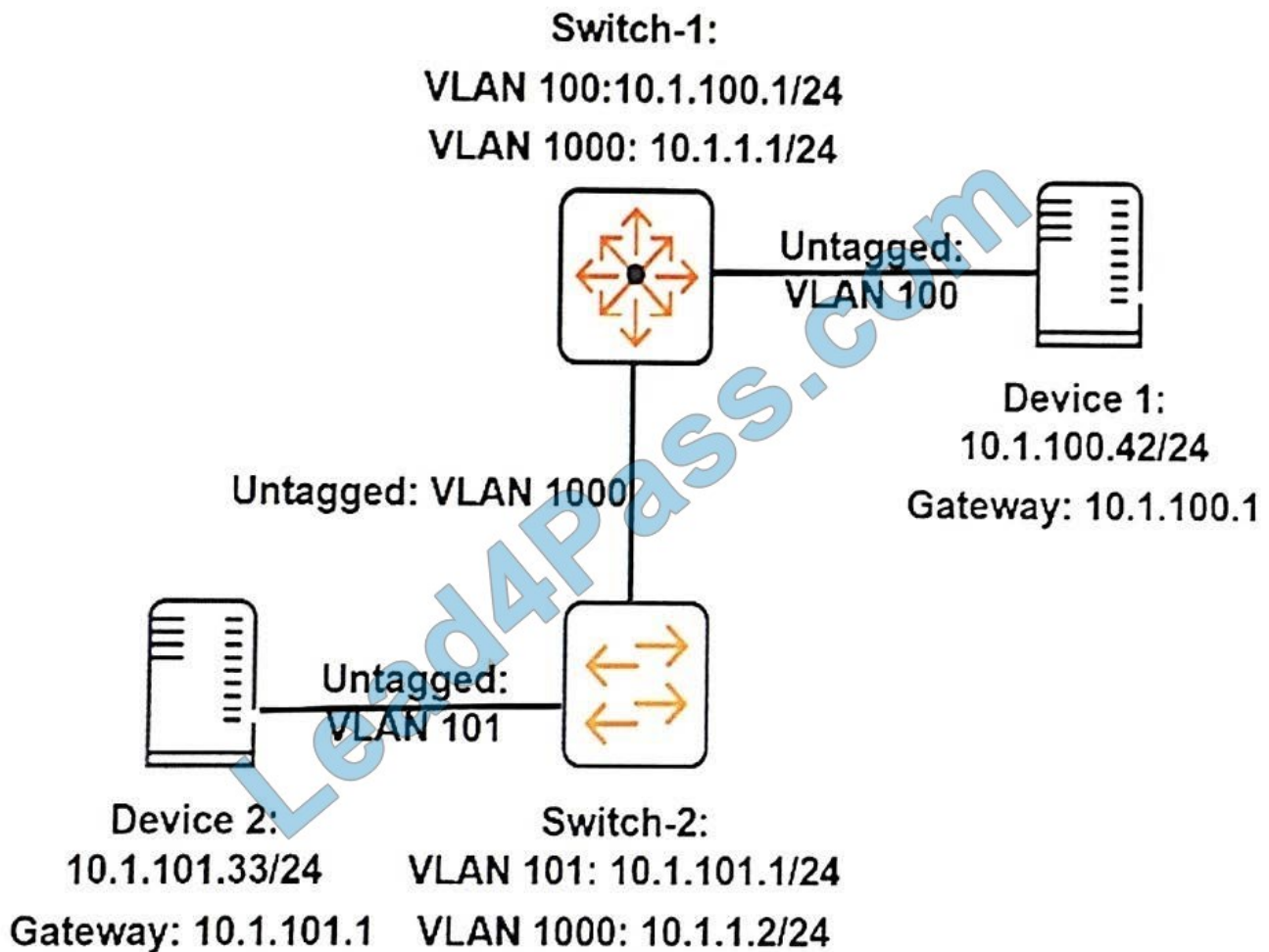
- A. The community string hashes the SNMP message, but does not encrypt it, which provides for data integrity.
- B. The community string is like a password transmitted in cleartext, which provides no data integrity or privacy.
- C. The community string encrypts the SNMP message, but does not hash it, which provides for data privacy.
- D. The community string encrypts and hashes the SNMP message, which provides for data integrity and privacy.

Correct Answer: B

---

#### QUESTION 10

Refer to the exhibit.



A network administrator executes this command on an ArubaOS switch, Switch-2: Switch-2(config)# ip route 10.1.100.0/24 10.1.1.1

The administrator successfully pings Device 1 at 10.1.100.42 from Switch-2. However, Device 2 cannot ping Device 1. The administrator confirms that Device 1 is correctly set up.

What should the administrator check on Switch-2 to resolve this issue?

- A. that ARP proxy is enabled
- B. that IP routing is enabled
- C. that spanning tree is disabled
- D. that ICMP is enabled

Correct Answer: B

#### QUESTION 11

A network administrator has copied new software to an ArubaOS switch and placed this software in the secondary flash location. The switch is currently booting from the primary location. The administrator wants the switch to start using the





new software.

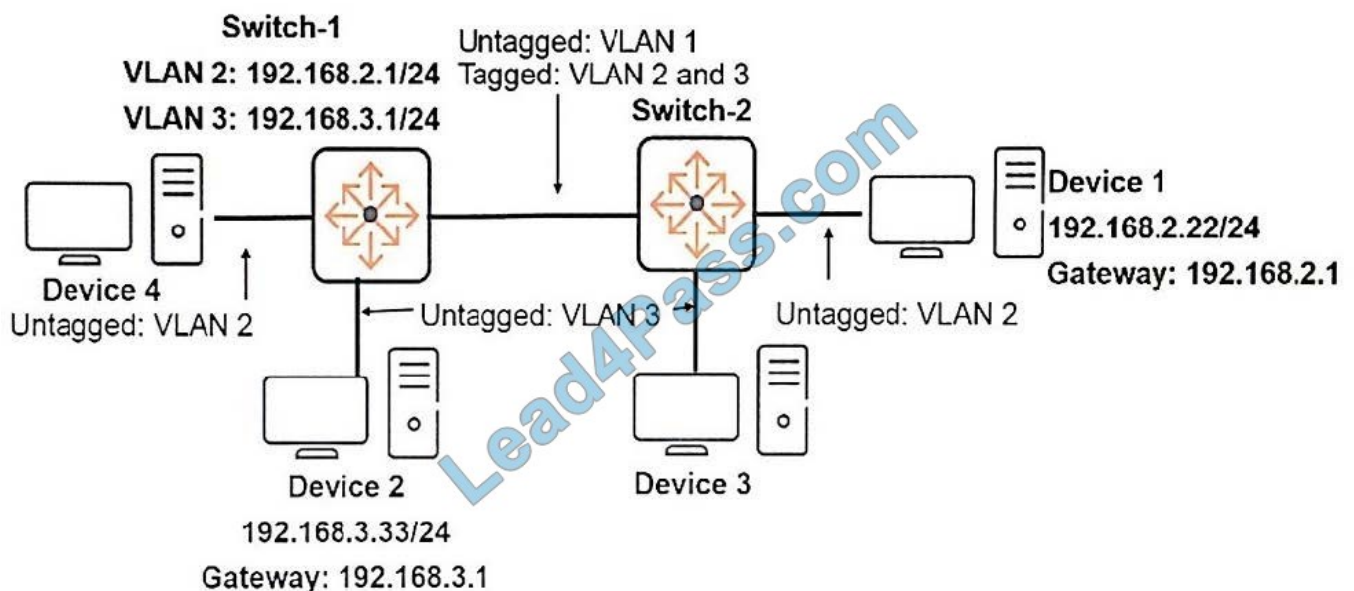
What should the administrator do to accomplish this?

- A. Reboot the switch, which automatically causes the switch to use the newer software.
- B. Execute the command to boot the system from the secondary flash.
- C. Rename the secondary software as the primary software.
- D. Copy the secondary software to the primary software slot.

Correct Answer: B

### QUESTION 12

Refer to the exhibit.



Device 1 needs to send traffic to Device 2, and it sends an ARP request in preparation. Which devices process this ARP request?

- A. all devices in VLAN 2, 192.168.2.0/24 subnet
- B. all devices connected to Switch-2
- C. all devices in VLAN 3, 192.168.3.0/24 subnet
- D. all devices in this network

Correct Answer: A

### QUESTION 13



Which security options for a WLAN can authenticate either the computer or the user?

- A. Open with MAC authentication
- B. MAC authentication with WPA2 Enterprise (802.1X) fail-thru
- C. Personal (preshared key) authentication with WEP
- D. Personal (preshared key) authentication with WPA2

Correct Answer: B

[Latest HPE6-A41 Dumps](#)

[HPE6-A41 PDF Dumps](#)

[HPE6-A41 Exam Questions](#)



To Read the [Whole Q&As](#), please purchase the [Complete Version](#) from [Our website](#).

## Try our product !

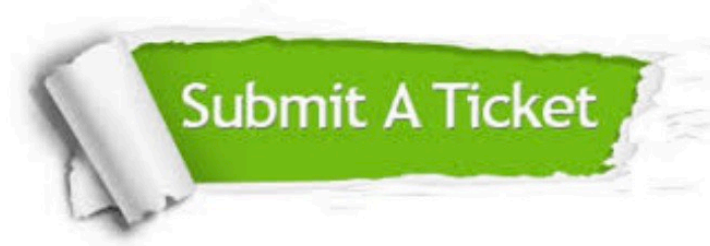
100% Guaranteed Success  
100% Money Back Guarantee  
365 Days Free Update  
Instant Download After Purchase  
24x7 Customer Support  
Average 99.9% Success Rate  
More than 800,000 Satisfied Customers Worldwide  
Multi-Platform capabilities - [Windows](#), [Mac](#), [Android](#), [iPhone](#), [iPod](#), [iPad](#), [Kindle](#)

We provide exam PDF and VCE of Cisco, Microsoft, IBM, CompTIA, Oracle and other IT Certifications. You can view Vendor list of All Certification Exams offered:

<https://www.lead4pass.com/allproducts>

## Need Help

Please provide as much detail as possible so we can best assist you.  
To update a previously submitted ticket:



 <p><b>One Year Free Update</b> Free update is available within One Year after your purchase. After One Year, you will get 50% discounts for updating. And we are proud to boast a 24/7 efficient Customer Support system via Email.</p>	 <p><b>Money Back Guarantee</b> To ensure that you are spending on quality products, we provide 100% money back guarantee for 30 days from the date of purchase.</p>	 <p><b>Security &amp; Privacy</b> We respect customer privacy. We use McAfee's security service to provide you with utmost security for your personal information &amp; peace of mind.</p>
---	---	--

Any charges made through this site will appear as Global Simulators Limited.  
All trademarks are the property of their respective owners.  
Copyright © lead4pass, All Rights Reserved.